

Test Case 18 – Window frame

Test Description: The test case creates an integrated glazing system (IG) that consists of glazes and frames. It exams whether the BIM software is capable of exporting

Spaces / Rooms:

There is one space in this test model. It is named as "level_1_space_1".

Special Consideration:

1. The model is 10' height and 10' wide.
2. The wall thickness is 8".
3. The thicknesses of both roof and slab on grade are 1'.
4. All the walls face to an orientation shall be named as "[orientation]_wall_[custom index]"
5. All the other surfaces shall be named as their function, such as "interior_wall_[custom index]"
6. The custom index is an index to differentiate the same type of surfaces. The tester can decide how to label the custom index.

Description of Test Model:

[Figure 1](#) shows a 3-dimensional isometric view of this test model.

[Figure 2](#) shows a typical floor plan to indicate dimensions and directions of the space, with wall thickness and the curve space dimensions.

[Figure 3](#) shows the elevation view to indicate positions and dimensions of the slab floor, roof or ceiling elements.

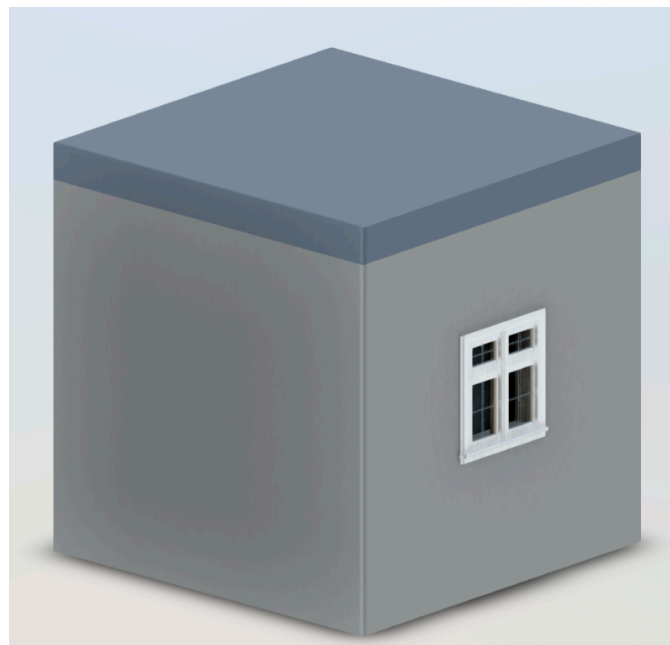


Figure 1. Isometric View

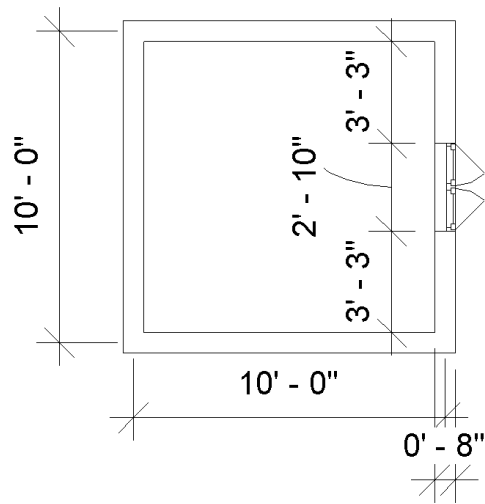


Figure 2. Floor Plan

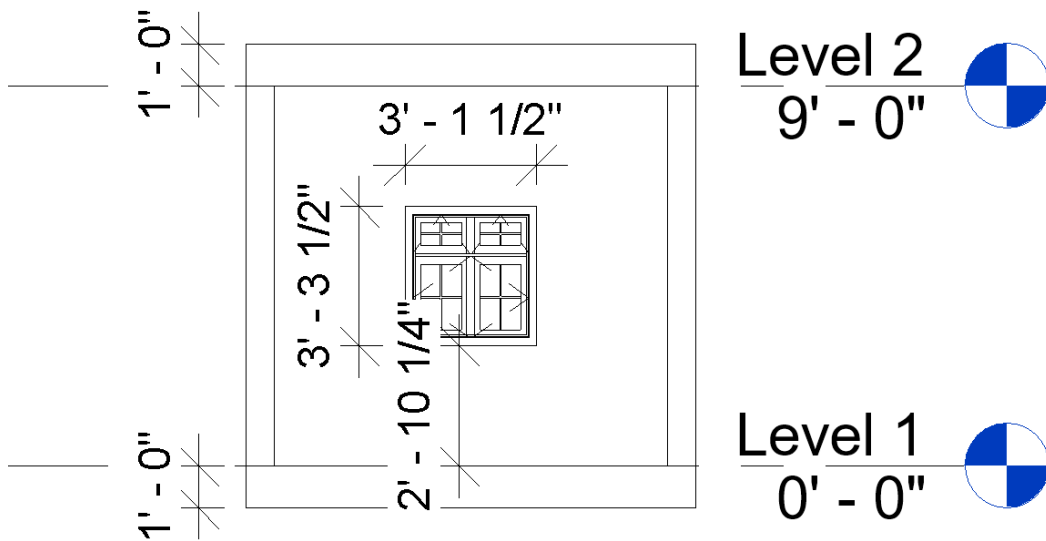


Figure 3. Elevation

Expected Outcome:

The exported gbXML should have a height of 10' and a width of 10'. The width of the window shall be 2'10," and the height of the window shall be 3'. The test will fail if either the width or height is different.

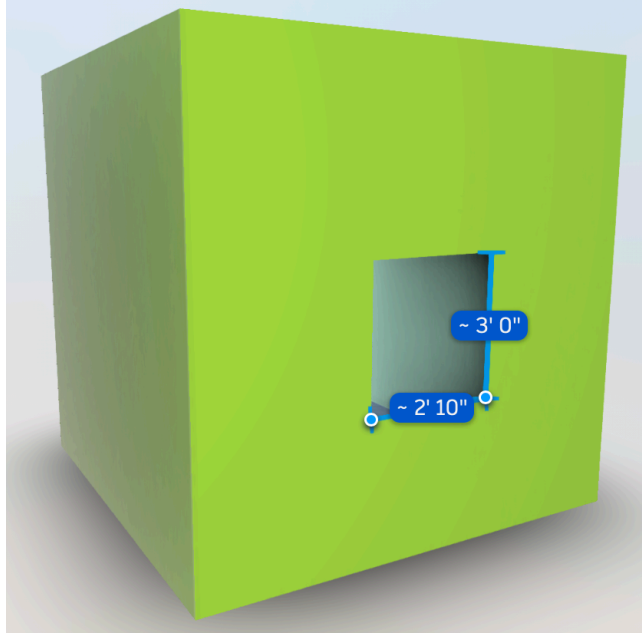


Figure 4. Exported gbXML model